



PROJECT		REF		REV	ITEM CODE	
LOCATION		DATE			PAGE	

SANITARY WARE SPECIFICATION SHEET

Item Descriptions	GROHE (Germany) "Eurodisc Joy" Single-lever 2-hole basin mixer 1/2" L-Size with separate concealed body (projection 226 mm)	Illustration/ Drawing
Dimensions	L226 x W110 x H68 mm	<div style="float: right; text-align: left;"> </div>
Model	19969000 (Basin mixer) 23429000 (Separate concealed body)	
Finish	Chrome Plated	
Manufacturer	GROHE Limited	
Supplier	Acme Sanitary Ware Co. Ltd Mr. Eric Wong/ Mr. Don Yuen	
Contact Tel/Fax	(852) 2388-7171 / (852) 2710-8012	
E-mail	acme@acmesanitary.com.hk	
Website	www.acmesanitary.com.hk	
<p>"Eurodisc Joy" 2-hole basin mixer L-Size</p> <ul style="list-style-type: none"> · wall mounted · set for final installation for 23 429 000 · without concealed body · metal lever · GROHE StarLight chrome finish · GROHE EcoJoy SpeedClean mousseur 5.7 l/min · centre distance 110 mm · projection 226 mm <div style="display: flex; justify-content: space-around; margin-top: 10px;"> </div>	<p>Single-lever mixer 1/2" , concealed body</p> <ul style="list-style-type: none"> · for 2 hole basin mixer · without finishing trim set · GROHE FeatherControl Joystick cartridge · wall installation · installation device · DR-brass · allows for waterproofing of wall construction surrounding the concealed body · with sealing sleeve <div style="display: flex; justify-content: space-around; margin-top: 10px;"> </div>	<p style="margin-top: 20px;">Colour options:</p> <p>● 000 Chrome ○ LS0 MoonWhite</p>

Note:

* All information of the above is for the reference only. No prior notice is made if any changes.



PROJECT		REF		REV	ITEM CODE	
LOCATION		DATE			PAGE	

SANITARY WARE SPECIFICATION SHEET

GROHE EURODISC JOY

DESIGN THAT GIVES PLEASURE

Out of the ordinary. Take it easy for the whole day – just switch off your mind and let inspiration into your everyday life. Eurodisc Joy bathrooms were created for connoisseurs of pleasure, who love unique things and appreciate creative details. This collection is so special that it won us the Red Dot Design Award.



Easy to clean thanks to the GROHE StarLight chrome coating

Just wipe the tap down with a dry cloth – the ultra smooth surface finish is scratch resistant and ensures a lasting luminous sheen. You'll save plenty of time cleaning while your tap always looks shiny and new.



GROHE EcoJoy with water-saving function for reduced consumption

GROHE EcoJoy reduces water consumption by up to 50% without compromising on performance. Whenever you turn on your tap, you will enjoy a full jet of water while saving money nonetheless.

Smooth joystick handling for effortless precision and ultimate convenience to last a lifetime. The brand new GROHE FeatherControl cartridge brings joystick control to a whole new level. Using state-of-the-art coated ceramic discs and an innovative sealing, the GROHE engineers have created a joystick cartridge with a wider volume and temperature angle – for a more precise control – with the same silky smooth operation as our renowned GROHE SilkMove® cartridge.

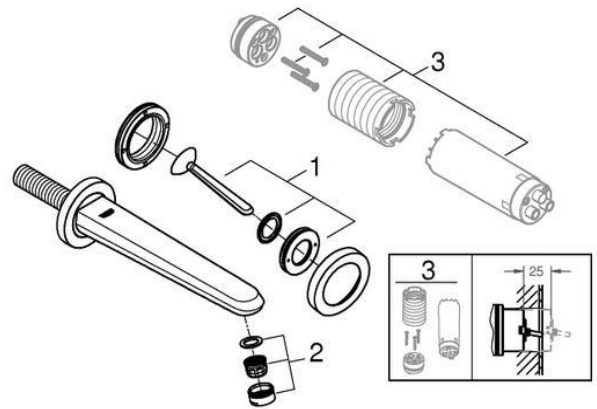
Only GROHE mixers deliver the unique GROHE FeatherControl experience. The solid smooth handling of our joystick-lever mixers perfectly expresses the quality and superiority of our brand.brand.



The wide FeatherControl temperature angle ensures more precise temperature control.



Effortless fingertip control and silky smooth operation, thanks to the superior ceramic disc-coating.



Pos.-nr.	Prod. description	Order-nr.
1	Lever	46906000
2	Mousseur	48159000
3	Extension-set, 25 mm	46901000*

* Optional accessories

Even after years FeatherControl guarantees the same smooth operation as on day one.

Note:

* All information of the above is for the reference only. No prior notice is made if any changes.